

# ALL METAL STRUCTURES BY

ALL METALWORKS



**STEEL BUILDINGS & STRUCTURES · SELF STORAGE · FENCING**  
Product Catalog



Manufacturing Metal Roofing, Siding, Custom Trim and Gutters  
**RESIDENTIAL | COMMERCIAL | AGRICULTURE**





# About All Metal Works

## A Solid Foundation

In the world of construction, everyone knows that you need a solid foundation. However, a good foundation is worth very little unless it is properly covered. At All Metal Works, we insist on using only the best material. We begin with a selection of 29 gauge, 26 gauge or 24 gauge metal, which are the thickest available on the market. Then add a durable coating of Valspar or Kynar 500® paint. This combination works hand in hand to provide you with outstanding strength and unrivaled durability. This makes All Metal Works roofing and siding the only thing you want to wrap your investment with.



## Products

All Metal Works manufactures multiple roofing and siding panels as well as a wide range of standard and custom trims based on your unique needs. We also offer a full line of accessories including butyl tapes, screws, foam closures, ridge vents, and pipe boots.

## Warranty

All Metal Works provides a 40-Year Non-Pro Rated Warranty on all Valspar coated metal, a 35-Year Non-Pro Rated Warranty on all Kynar 500® coated metal, and a 25-Year Non-Pro Rated Warranty on Acrylic Coated Galvalume.

## Manufacturing

All Metal Works is a locally owned and operated company. This cuts out on long delays, order cut off days and makes for a quicker turnaround time, making your metal roofing and siding project a breeze. We are devoted to a 24-48 hour turn around on all products. With our investment in the necessary resources, we are able to provide accurate take-offs and installation instructions. All Metal Works is proud to provide metal roofing experts on hand to help with roof measurements and answer questions in and out of the field.

## Going Green

Our steel is produced and painted in the United States. It also has approximately 30% recycled material, and at the end of its life cycle 100% of the steel can be recycled again.



# Benefits of All Metal Works Metal Roofing and Siding

## Maximize Energy Efficiency

Looking to the future, we all need to be concerned about preserving the health of our environment. Many asphalt and tar based roof systems are not recyclable, which contributes to the growing landfill problems that are being experienced today. Steel is 100% recyclable and All Metal Works steel panels contain recycled material.

## Long Life Expectancy

With proper installation, a metal roof should last as long as the structure, sealing out water, resisting high winds, and easily shedding snow. Metal is resistant to fire, mildew, insects, and rot. All Metal Works provides a 40-Year Non-Pro Rated Warranty on all Valspar coated metal, a 35-Year Non-Pro Rated Warranty on all Kynar 500® coated metal, and a 25-Year Non-Pro Rated Warranty on Acrylic Coated Galvalume.

## Advantages of Metal vs. Shingles

Metal roofing is a much better overall investment - it is longer lasting, durable and more weather resistant (no warping, peeling or cracking) and it does not burn and is impervious to the effects of termites and pests.

## Low Maintenance

A properly installed metal roofing system is virtually maintenance free over the life of the roof.

## Cost Effective Application

Metal roofing can be installed over the existing roofing material (depending on condition of material), bringing significant savings in the time and labor of installation as well as eliminating the problem of disposing the existing roofing material. Metal roofing from All Metal Works is custom cut to the inch based on individual roofing measurements and we also manufacture color matching trim, fasteners and accessories.

## Lower Lifetime Cost

Metal roofs are a superior product and in some cases cost less than a 20 year Limited Warranty asphalt shingle roof. However the longevity of a metal roof is what the homeowner should take into account when choosing the best roofing system. Since the integrity of a metal roof is not compromised by heat and sun like an asphalt shingle roof, it will last many more decades.

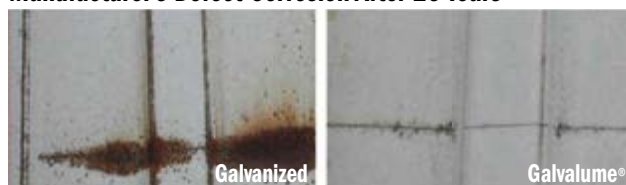
## Galvalume® vs. Galvanized Substrate

The substrate coating is used to inhibit rust. It covers the steel but is under the paint. Galvalume® uses a mixture of aluminum and zinc to protect against rust, while galvanized uses zinc only. Galvalume® is projected to outlast galvanized (with an equivalent coating thickness) by up to nine times.

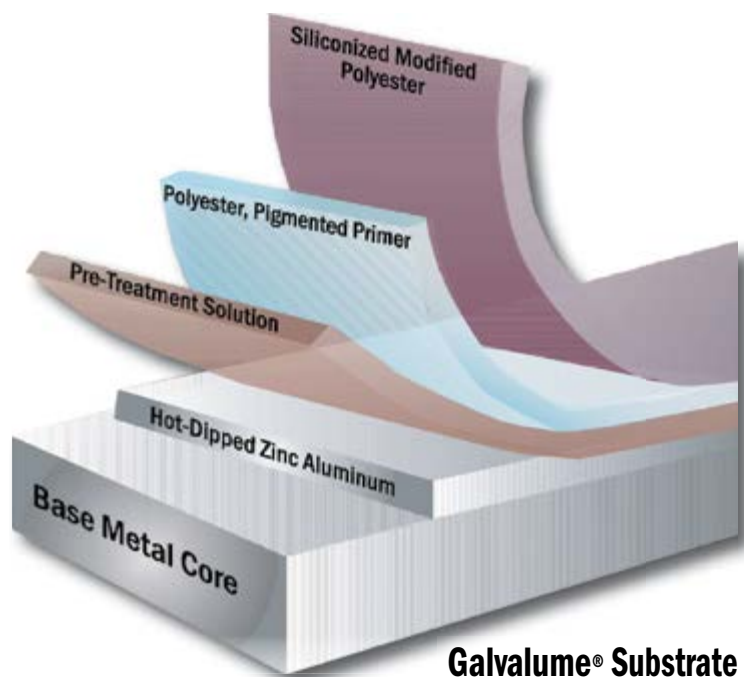
### Edge Corrosion After 20 Years



### Manufacturer's Defect Corrosion After 20 Years

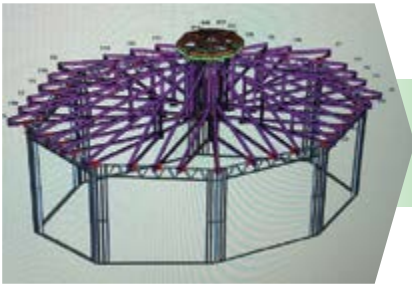


### Panel Bend Corrosion After 21 Years



Galvalume® Substrate

# Structures



# Storage



# Fencing

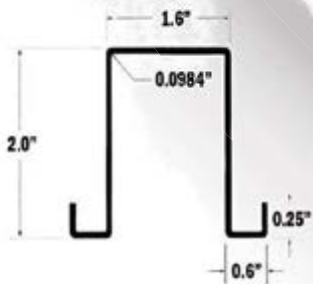




# Let Us Turn Your Vision Into Reality With Our Custom Structures & Trusses



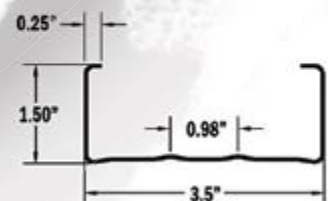
Steel Truss Profile



STEEL STUD PROFILE



Steel Stud Profile





# There's More To Us Than You Realize

All Metal Works does more than structures, storage, and fencing. Let us design and construct your custom and unique structure.



Metal Coils



Pre Punched



Pre Notched



Awning (Above)



Awning (Under)



Dugout (Front)



Dugout (Back)



# Everything Under The Sun



Indoor Storage <sup>1</sup>



Indoor Storage <sup>2</sup>



Outdoor Pool Bar



Fence



Wood & Steel House

# Christmas Spirit in Full Swing at All Metal Works



Santa's Sleigh



Christmas Tree

## Why use DR!PSTOP:

- **Fights Condensation without insulation**, avoid the challenges that come with traditional moisture barriers.
- **It is Durable**, very difficult to cut or slice through, which make it perfect for self-storage, equipment storage, carport, and garage applications.
- **Easy to maintain**, there are no problems with birds nesting.
- **Looks great and it's easy to clean**, a hose or pressure washer can easily be used to clean if needed.
- **Fights corrosion**, tests show that it adds another layer of protection specifically from the corrosive elements in livestock confinement.
- **Reduces external and internal noise**, studies show rain and echo sounds reduced on average by at least 20%

## How it Works:

When climate conditions cause condensation to occur, DR!PSTOP absorbs and holds that moisture in the specifically designed pockets in the membrane. When climate conditions go above the dew point, the moisture is released back into the air as normal humidity.





## Advantages of Steel Framing

- Termite and rot resistant
- Remain straight and do not warp
- Simple to install
- Strong and lightweight
- Do not absorb water
- Not fire promoting
- Safe to handle
- Allow for more design opportunities
- 100% recyclable

## Efficient Assembly

All Metal Works steel truss framing packages make constructing buildings easier than ever before...

- Service cutouts for electrical, plumbing and other utilities are pre-cut and remove the need to use grommets.
- Studs are boxed and fit inside one another
- Walls are pre-fabricated for easy on site assembly
- Studs are lightweight and allow for easy handling

## Types of Structures

Commercial, Residential, Garages, Storage Sheds, Barns and more...



## Your Steel Framing Experts

As a manufacturer of steel truss constructed buildings, All Metal Works can accommodate any builder's needs when it comes to steel framing.

Our do it yourself packages include fully designed layouts and pre-engineered steel framing packages. Packages come with metal roofing, wall panels and trims along with fully constructed steel frame walls that are ready to assemble.

For the latest on All Metal Works steel truss packages, visit our website:

[www.allmetalworksinc.com](http://www.allmetalworksinc.com)

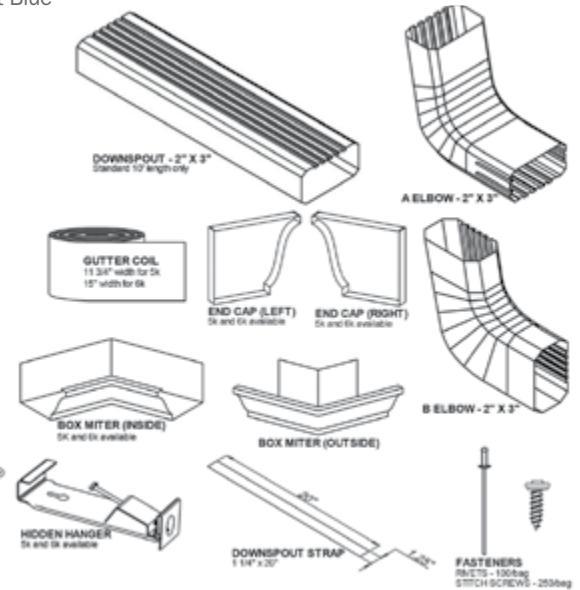
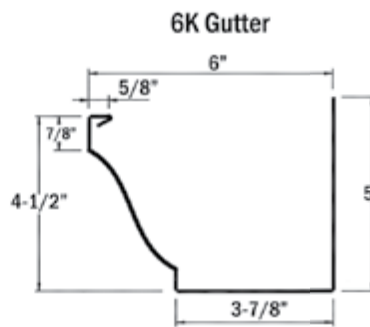
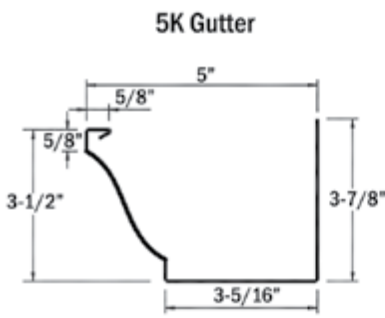


# 5K and 6K Gutters

All Metal Works offers high grade 26 gauge steel along with 6K gutters. The gutters are available in any custom length and seamless gutters can be ran on site with our seamless gutter forming machine.

## 26 Gauge Colors

Polar White	Hawaiian Blue	Emerald Green	Burnished Slate	Gallery Blue	Fern Green
Light Stone	Bright Red	Forest Green	Black	Clay	Copper Metallic
Sahara Tan	Barn Red	Charcoal	Galvalume	Dark Brown	Sunset Blue
Ash Gray	Burgundy	Cocoa Brown	Brilliant White	Slate Gray	



# 7" Box Gutters

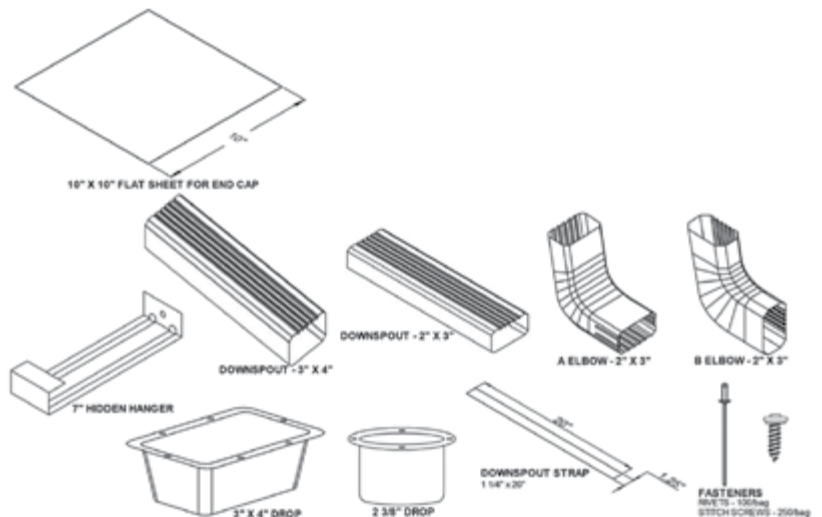
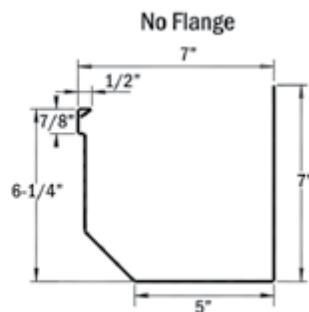
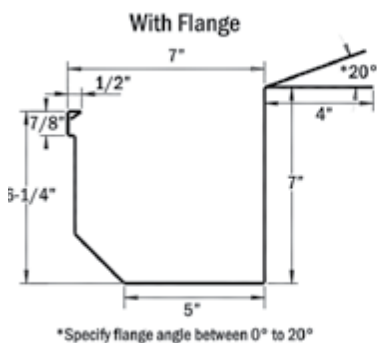
All Metal Works offers high grade .032 aluminum, 26 gauge and 24 gauge steel along with 16oz. copper 7" box gutters. The gutters are available in any custom length and can be ran on site with our seamless gutter forming machine.

## 26 Gauge Colors

Polar White	Hawaiian Blue	Emerald Green	Burnished Slate	Gallery Blue	Fern Green
Light Stone	Bright Red	Forest Green	Black	Clay	Copper Metallic
Sahara Tan	Barn Red	Charcoal	Galvalume	Dark Brown	Sunset Blue
Ash Gray	Burgundy	Cocoa Brown	Brilliant White	Slate Gray	

## 24 Gauge Colors

\*Available for special order





All Metal Works offers a full line of trims and accessories needed to complete your roofing or siding project. Below is a partial list of accessories available for your metal roof and siding needs. To see a complete list, contact your All Metal Works Wholesale Supplier or Sales Representative.

## Trims

All Metal Works trims provide the finishing touches for a clean and finished look for your metal roof or metal siding project. For a complete list of trim options please visit our website at [www.allmetalworksinc.com](http://www.allmetalworksinc.com) or call to talk to our estimating crew at 716.772.7029.

## Closures and Sealers

Our panel closures are composed of dense foam that are shaped to our metal panels. We have closures with adhesive strips, panel closures, foam closure 20' rolls and formed ridge vent closures.

We offer Geocel Caulk and NovaFlex in clear. These sealants are used in metal roofing applications to protect water from getting underneath the roofing panels. They provide flexibility and a water tight seal. Our sealant tape, Butyl Tape is a rubber sealant, that provides unrivaled cohesive strength in all of your metal roofing and siding applications. We offer Butyl Tape in 3/8" x 45', 3/4" x 50' by 1" wide by 3/32" thick rolls. SS - Inseam Sealant is also available on all Standing Seam Panels.



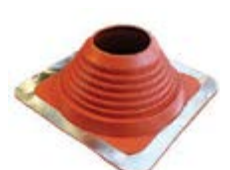
## Universal Closures

All Metal Works also offers a more versatile sealant which expands and seals irregular surfaces. Areas such as valleys require weather-tightness and Hip/Valley tape is highly recommended during expansion and contraction of metal panels. Our Hip/Valley tape is available in 1" wide, 1" thick, 20' rolls as well as 1" wide, 1-1/2" thick, 15' rolls.



## Pipe Flashing

All Metal Works offers standard and retrofit heavy duty rubber pipe boots for both standard and high temperature pipes. Our pipe boots are designed to accommodate movement in pipes due to temperature and weather conditions.



## Underlayment

TempShield™ is a technologically advanced insulation material ideal for new construction or retrofit installation in residential, commercial, industrial, metal buildings and post frame buildings. Our products are recognized for their thermal performance, easy installation, versatility, price and environmental friendliness.



## Screws

Woodgrip screws are a metal to wood fastener designed to self drill metal panels and tap into the wood substrate. Our 1/4" hex head woodgrip screws provide quick and easy installation and also come with a washer for a seal tight grip. We also offer Steelbinder screws for steel substrate.



## Snow Bars and Snow Jax

All Metal Works offers a complete line of snow bars and snow jax for any of your roofing needs. Whether you have a Best Rib metal panel roof or a Standing Seam metal roof, we have the appropriate snow retention product.





The All Metal Works Team

**METAL ROOFING | SIDING | CUSTOM TRIM | GUTTERS**

