



ALL METALWORKS

METAL ROOFING AND SIDING SYSTEMS

Product Catalog

Manufacturing Metal Roofing, Siding, Custom Trim and Gutters

RESIDENTIAL | COMMERCIAL | AGRICULTURE

About All Metal Works

A Solid Foundation

In the world of construction, everyone knows that you need a solid foundation. However, a good foundation is worth very little unless it is properly covered. At All Metal Works, we insist on using only the best material. We begin with a selection of 29 gauge, 26 gauge or 24 gauge metal, which are the thickest available on the market. Then add a durable coating of Valspar or Kynar 500® paint. This combination works hand in hand to provide you with outstanding strength and unrivaled durability. This makes All Metal Works roofing and siding the only thing you want to wrap your investment with.



Products

All Metal Works manufactures multiple roofing and siding panels as well as a wide range of standard and custom trims based on your unique needs. We also offer a full line of accessories including butyl tapes, screws, foam closures, ridge vents, and pipe boots.

Warranty

All Metal Works provides a 40-Year Non-Pro Rated Warranty on all Valspar coated metal, a 35-Year Non-Pro Rated Warranty on all Kynar 500® coated metal, and a 25-Year Non-Pro Rated Warranty on Acrylic Coated Galvalume.

Manufacturing

All Metal Works is a locally owned and operated company. This cuts out on long delays, order cut off days and makes for a quicker turnaround time, making your metal roofing and siding project a breeze. We are devoted to a 24-48 hour turn around on all products. With our investment in the necessary resources, we are able to provide accurate take-offs and installation instructions. All Metal Works is proud to provide metal roofing experts on hand to help with roof measurements and answer questions in and out of the field.

Going Green

Our steel is produced and painted in the United States. It also has approximately 30% recycled material, and at the end of its life cycle 100% of the steel can be recycled again.



Benefits of All Metal Works Metal Roofing and Siding

Maximize Energy Efficiency

Looking to the future, we all need to be concerned about preserving the health of our environment. Many asphalt and tar based roof systems are not recyclable, which contributes to the growing landfill problems that are being experienced today. Steel is 100% recyclable and All Metal Works steel panels contain recycled material.

Long Life Expectancy

With proper installation, a metal roof should last as long as the structure, sealing out water, resisting high winds, and easily shedding snow. Metal is resistant to fire, mildew, insects, and rot. All Metal Works provides a 40-Year Non-Pro Rated Warranty on all Valspar coated metal, a 35-Year Non-Pro Rated Warranty on all Kynar 500® coated metal, and a 25-Year Non-Pro Rated Warranty on Acrylic Coated Galvalume.

Advantages of Metal vs. Shingles

Metal roofing is a much better overall investment - it is longer lasting, durable and more weather resistant (no warping, peeling or cracking) and it does not burn and is impervious to the effects of termites and pests.

Low Maintenance

A properly installed metal roofing system is virtually maintenance free over the life of the roof.

Cost Effective Application

Metal roofing can be installed over the existing roofing material (depending on condition of material), bringing significant savings in the time and labor of installation as well as eliminating the problem of disposing the existing roofing material. Metal roofing from All Metal Works is custom cut to the inch based on individual roofing measurements and we also manufacture color matching trim, fasteners and accessories.

Lower Lifetime Cost

Metal roofs are a superior product and in some cases cost less than a 20 year Limited Warranty asphalt shingle roof. However the longevity of a metal roof is what the homeowner should take into account when choosing the best roofing system. Since the integrity of a metal roof is not compromised by heat and sun like an asphalt shingle roof, it will last many more decades.

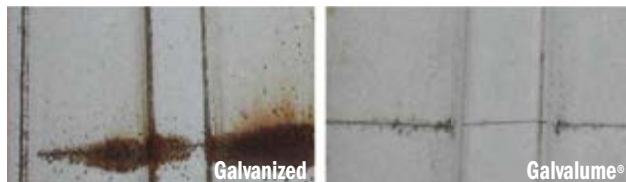
Galvalume® vs. Galvanized Substrate

The substrate coating is used to inhibit rust. It covers the steel but is under the paint. Galvalume® uses a mixture of aluminum and zinc to protect against rust, while galvanized uses zinc only. Galvalume® is projected to outlast galvanized (with an equivalent coating thickness) by up to nine times.

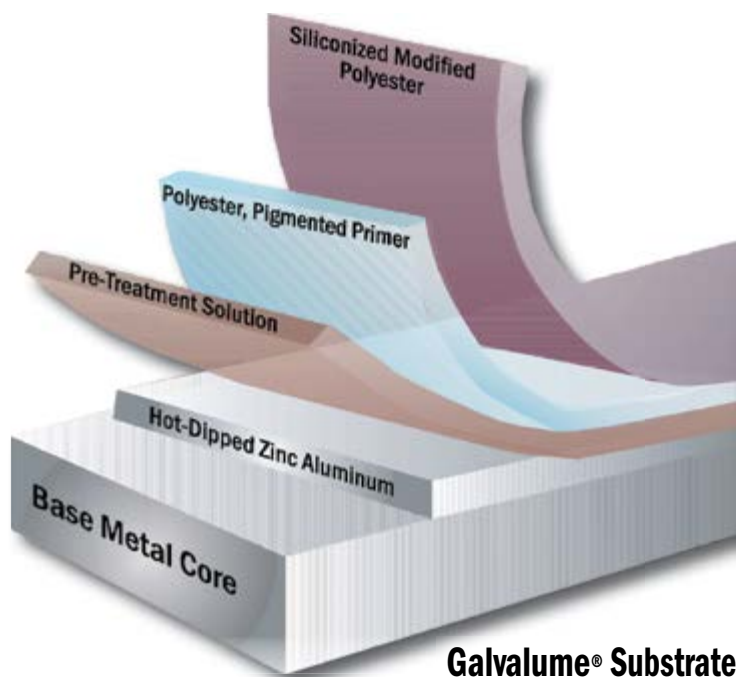
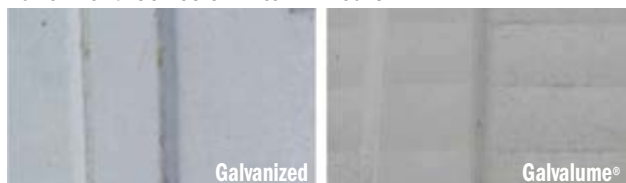
Edge Corrosion After 20 Years



Manufacturer's Defect Corrosion After 20 Years



Panel Bend Corrosion After 21 Years



Best Rib Panel

All Metal Works offers the Best Rib panel which is an industry leader in strength and durability. This popular metal roofing panel features a classic rib look and is installed in a variety of applications including residential, commercial and post-frame buildings.

Strength

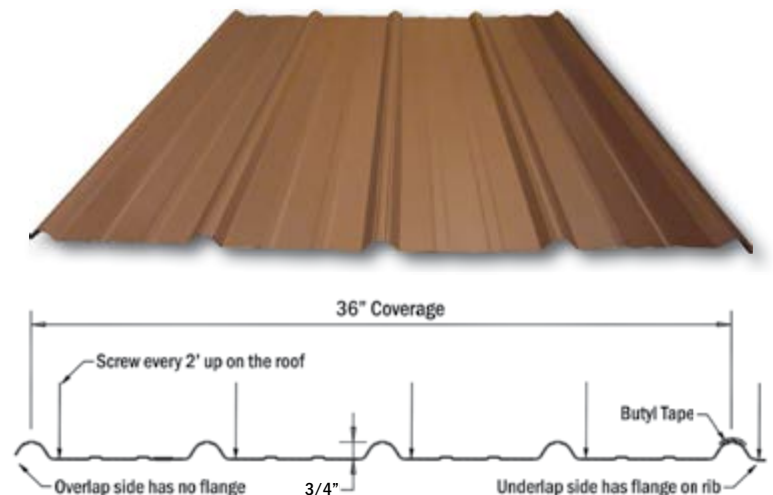
The Best Rib Panel is manufactured with a strong 29 gauge steel to ASTM A792 Grade 80 specifications for a minimum tensile strength of 80,000 psi, allowing the Best Rib panel to stand up to the most severe weather conditions including ice, driving wind and heavy snow.

Durability

The Best Rib Panel is designed with unique siphon groove drain channels that guard against wind, rain and snow which eliminates leaking. The siphon groove on the underlap of the panel interlocks with the overlap of the next panel and adds strength to the purlin bearing leg. The design permits for free-flow water runoff, channeling out any water that might be forced into the snug fitting lap.

Cost Effective

All Metal Works Best Rib panel is the best investment for your dollar. Backed by a Non-Pro Rated Warranty on the color coated panels, the panel is less prone to wind damage and deterioration from the elements than traditional roofing products. The low maintenance and long-lasting beauty make the Best Rib panel the most cost effective alternative in the metal roofing industry.



Application: Roof and Walls
Panel Coverage: Standard 36"
Rib Height: 3/4"
Rib Features: 9" O.C.
Standard Gauge: 29 Gauge
Optional Gauge: 26 Gauge

Substrate: Solid Substrate, Open Framing
Fastener Type: Exposed
Standard Finish: Siliconized Modified Polyester
Non-Painted: Acrylic Coated Galvalume
Minimum Roof Pitch Requirement: 3:12

PBR Panel (Purlin Bearing R Panel)



Siding Color: Brilliant White

Application: Roof and Walls

Panel Coverage: 36"

Rib Height: 1-1/4"

Rib Features: Trapezoidal Rib on 12" Centers

Standard Gauge: 26 Gauge

Optional Gauge: 24 Gauge

Substrate: Solid Substrate, Open Framing

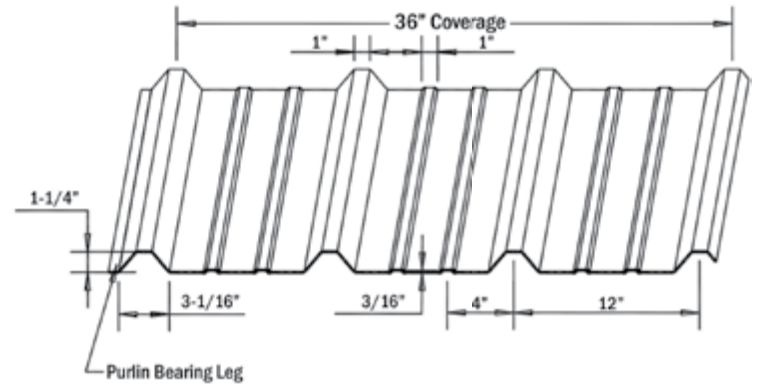
Fastener Type: Exposed

Standard Finish: Siliconized Modified Polyester

Optional Finish: KYNAR 500®

Non-Painted: Acrylic Coated Galvalume®

Minimum Roof Pitch Requirement: 2:12



R Panel



Upper Color: Light Stone
Lower Color: Sahara Tan

Application: Wall Only

Panel Coverage: 36"

Rib Height: 1-1/4"

Rib Features: Trapezoidal Rib on 12" Centers

Standard Gauge: 26 Gauge

Optional Gauge: 24 Gauge

Substrate: Solid Substrate, Open Framing

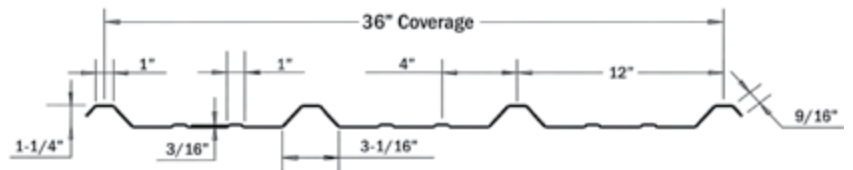
Fastener Type: Exposed

Standard Finish: Siliconized Modified Polyester

Optional Finish: KYNAR 500®

Non-Painted: Acrylic Coated Galvalume®

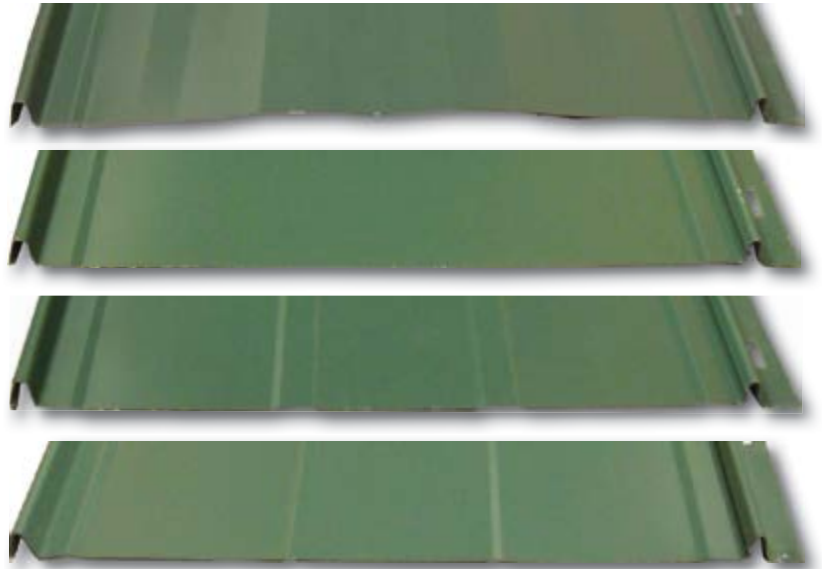
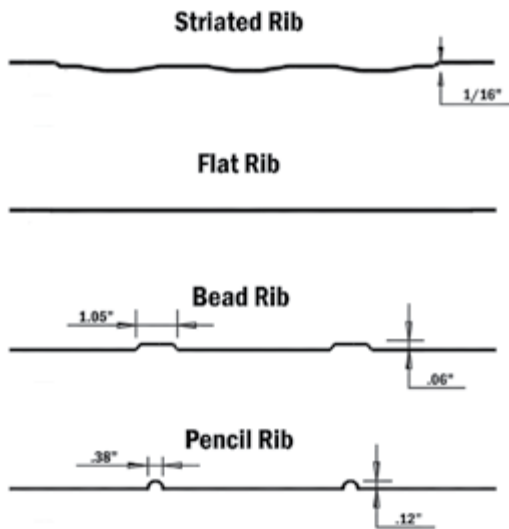
Minimum Roof Pitch Requirement: 2:12



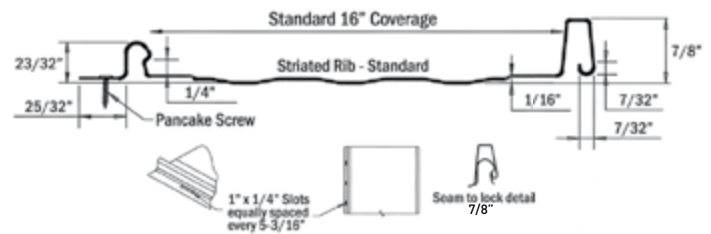
Standing Seam Panel and Profile Offerings

All Metal Works offers a wide array of Standing Seam Snap Lock panels for your residential, commercial and industrial needs. Standing Seam Snap Lock panels contain clean, sleek lines and offer concealed fasteners for a unique aesthetic look that offers maximum wind and weather resistance.

All Metal Works Standing Seam panels are available for on site roll forming which makes any length panel possible. Each of our Standing Seam panels are offered with choice of the following panel profiles.



Lo-Lok Standing Seam Panel

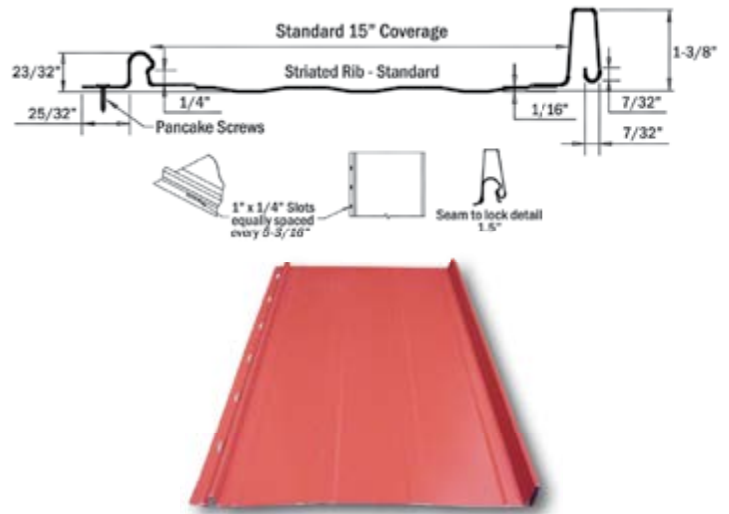


Application: Roof and Walls
Panel Coverage: Standard 16"
Optional Panel Coverage: 12"-24"
Rib Height: 7/8"
Rib Features: Snap Lock, Continuous Lock
Standard Gauge: 26 Gauge
Optional Gauge: 24 Gauge/.032 Aluminum/16 oz. Copper
Substrate: Solid Substrate
Fastener Type: Concealed
Standard Finish: Siliconized Modified Polyester
Optional Finish: KYNAR 500®
Non-Painted: Acrylic Coated Galvalume®
Minimum Roof Pitch Requirement: 3:12

Hi-Lok Standing Seam Panel



Roof Color: Charcoal



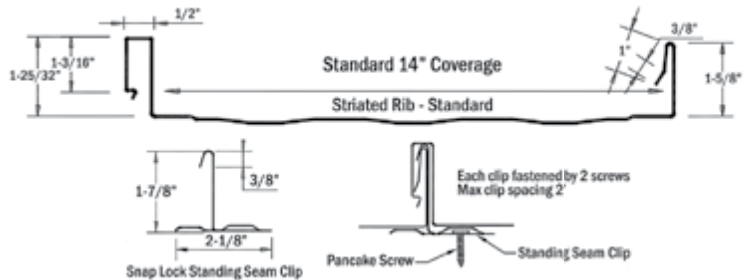
Application: Roof and Walls
Panel Coverage: Standard 15"
Optional Panel Coverage: 12"-24"
Rib Height: 1 3/8"
Rib Features: Snap Lock, Continuous Lock
Standard Gauge: 26 Gauge

Optional Gauge: 24 Gauge/.032 Aluminum/16 oz. Copper
Substrate: Solid Substrate
Fastener Type: Concealed
Standard Finish: Siliconized Modified Polyester
Optional Finish: KYNAR 500®
Non-Painted: Acrylic Coated Galvalume®
Minimum Roof Pitch Requirement: 2:12

Ultra-Lok Standing Seam Panel



Roof Color: Barn Red



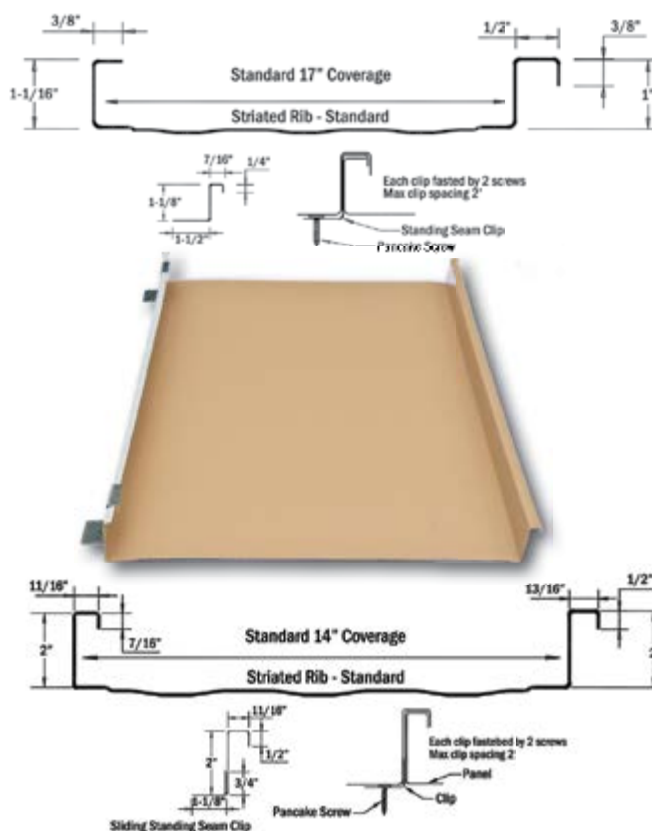
Application: Roof and Walls
Panel Coverage: Standard 14"
Optional Panel Coverage: 12"-24"
Rib Height: 1 3/4"
Rib Features: Snap Lock w/ Clip, Continuous Lock
Standard Gauge: 26 Gauge
Optional Gauge: 24 Gauge/.032 Aluminum/16 oz. Copper
Substrate: Solid Substrate, Open Framing
Fastener Type: Concealed w/Clip
Standard Finish: Siliconized Modified Polyester
Optional Finish: KYNAR 500®
Non-Painted: Acrylic Coated Galvalume®
Minimum Roof Pitch Requirement: 3:12 Open/1:12 Solid



1", 1 - 1/2" and 2" Sur-Lok Standing Seam Panel



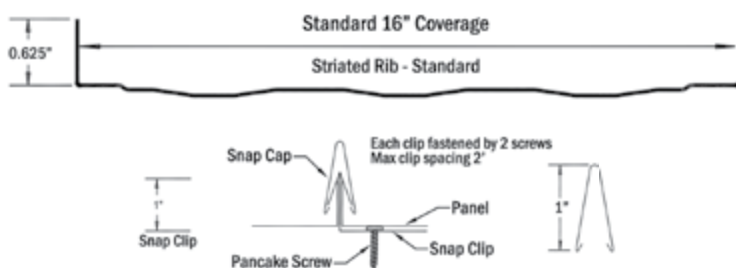
Application: Roof and Walls
Panel Coverage: Standard 17"-16"-14"
Optional Panel Coverage: 12"-24"
Rib Height: 1", 1 - 1/2" and 2"
Rib Features: Mechanical Lock
Standard Gauge: 26 Gauge
Optional Gauge: 24 Gauge/.032 Aluminum/16 oz. Copper
Substrate: Solid Substrate, Open Framing
Fastener Type: Concealed
Standard Finish: Siliconized Modified Polyester
Optional Finish: KYNAR 500®
Non-Painted: Acrylic Coated Galvalume®
Minimum Roof Pitch Requirement: 1/2:12



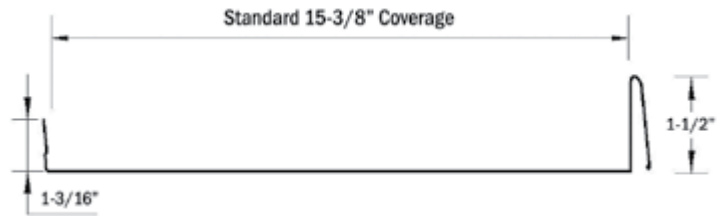
Snap-Cap Standing Seam Panel



Application: Roof and Walls
Panel Coverage: Standard 16"
Optional Panel Coverage: 12"-24"
Rib Height: 1"
Rib Features: Snap-Cap, Straight, Curved, Concave, Convex and Circular
Standard Gauge: 26 Gauge
Optional Gauge: 24 Gauge/.032 Aluminum/16 oz. Copper
Substrate: Solid Substrate
Fastener Type: Concealed
Standard Finish: Siliconized Modified Polyester
Optional Finish: KYNAR 500®
Non-Painted: Acrylic Coated Galvalume®
Minimum Roof Pitch Requirement: 3:12



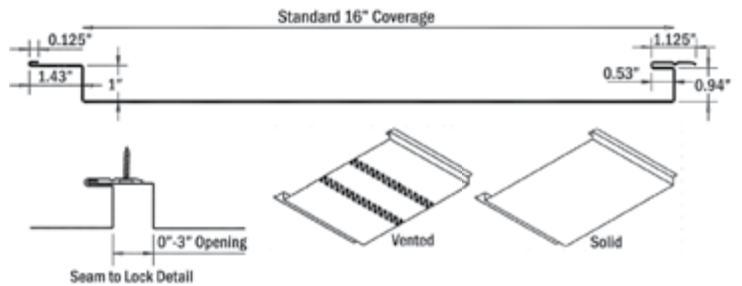
Clip Lok Standing Seam Panel



- Application:** Roof and Walls
- Panel Coverage:** Standard 15-3/8"
- Optional Panel Coverage:** 12"-24"
- Rib Height:** 1-1/2"
- Rib Features:** Clip Lock
- Standard Gauge:** 26 Gauge
- Optional Gauge:** 24 Gauge/.032 Aluminum/16 oz. Copper
- Substrate:** Solid Substrate, Open Framing
- Fastener Type:** Concealed w/Clip
- Standard Finish:** Siliconized Modified Polyester
- Optional Finish:** KYNAR 500®
- Non-Painted:** Acrylic Coated Galvalume®
- Minimum Roof Pitch Requirement:** 2:12



FM (Flush Mount) Siding Soffit Panel



- Application:** Siding and Soffit Only
- Panel Coverage:** Standard 16"
- Optional Panel Coverage:** 12"-24"
- Rib Height:** 1"
- Rib Features:** Seam to Lock
- Standard Gauge:** 26 Gauge
- Optional Gauge:** 24 Gauge .032 Aluminum
- Substrate:** Solid Substrate/Open Framework
- Fastener Type:** Concealed
- Standard Finish:** Siliconized Modified Polyester
- Optional Finish:** KYNAR 500®
- Non-Painted:** Acrylic Coated Galvalume®



5K and 6K Gutters

All Metal Works offers high grade .032 aluminum, 26 gauge steel along with 16oz. copper 5K and 6K gutters. The gutters are available in any custom length and seamless gutters can be ran on site with our seamless gutter forming machine.

26 Gauge Colors

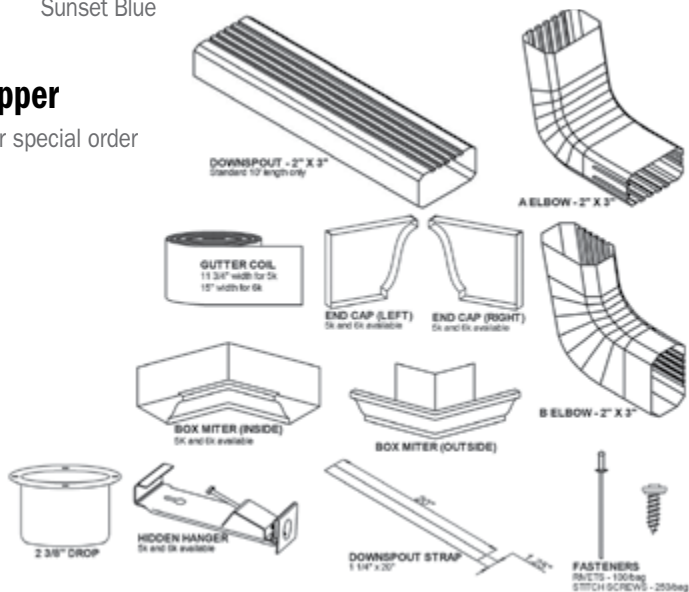
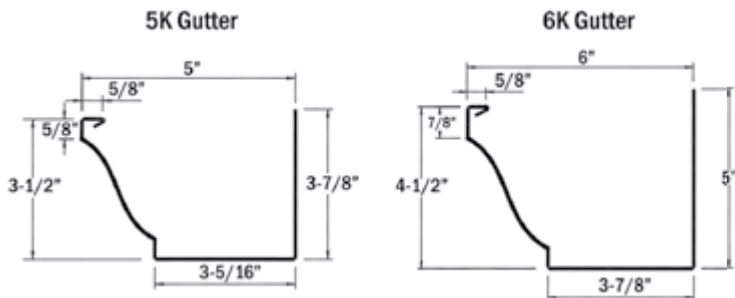
Polar White	Hawaiian Blue	Emerald Green	Burnished Slate	Gallery Blue	Fern Green
Light Stone	Bright Red	Forest Green	Black	Clay	Copper Metallic
Sahara Tan	Barn Red	Charcoal	Galvalume	Dark Brown	Sunset Blue
Ash Gray	Burgundy	Cocoa Brown	Brilliant White	Slate Gray	

.032 Aluminum Colors

White Brown
Other Colors available upon request.

16oz. Copper

*Available for special order



7" Box Gutters

All Metal Works offers high grade .032 aluminum, 26 gauge and 24 gauge steel along with 16oz. copper 7" box gutters. The gutters are available in any custom length and can be ran on site with our seamless gutter forming machine.

26 Gauge Colors

Polar White	Hawaiian Blue	Emerald Green	Burnished Slate	Gallery Blue	Fern Green
Light Stone	Bright Red	Forest Green	Black	Clay	Copper Metallic
Sahara Tan	Barn Red	Charcoal	Galvalume	Dark Brown	Sunset Blue
Ash Gray	Burgundy	Cocoa Brown	Brilliant White	Slate Gray	

24 Gauge Colors

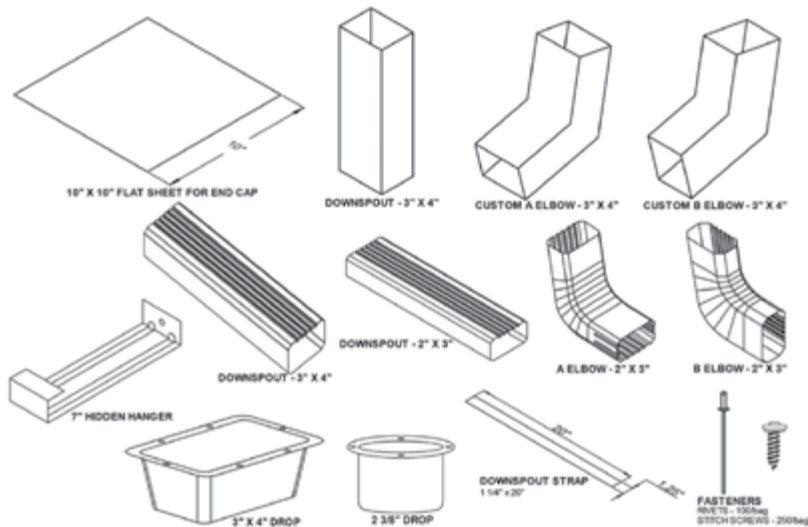
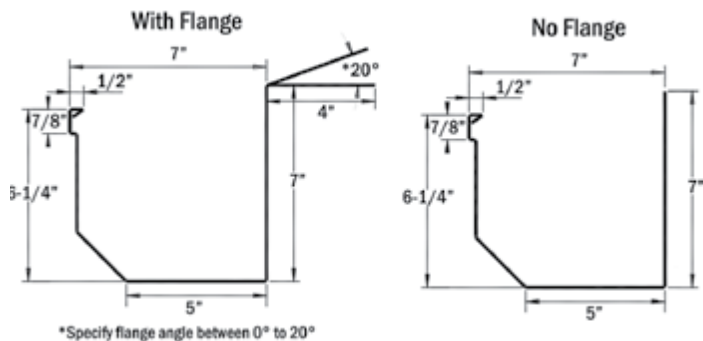
*Available for special order

16oz. Copper

*Available for special order

.032 Aluminum Colors

Colors available upon request.



All Metal Works offers a full line of trims and accessories needed to complete your roofing or siding project. Below is a partial list of accessories available for your metal roof and siding needs. To see a complete list, contact your All Metal Works Wholesale Supplier or Sales Representative.

Trims

All Metal Works trims provide the finishing touches for a clean and finished look for your metal roof or metal siding project. For a complete list of trim options please visit our website at www.allmetalworksinc.com or call to talk to our estimating crew at 716.772.7029.

Closures and Sealers

Our panel closures are composed of dense foam that are shaped to our metal panels. We have closures with adhesive strips, panel closures, foam closure 20' rolls and formed ridge vent closures.

We offer Geocel Caulk and NovaFlex in clear. These sealants are used in metal roofing applications to protect water from getting underneath the roofing panels. They provide flexibility and a water tight seal. Our sealant tape, Butyl Tape is a rubber sealant, that provides unrivaled cohesive strength in all of your metal roofing and siding applications. We offer Butyl Tape in 3/8" x 45', 3/4" x 50' by 1" wide by 3/32" thick rolls. SS - Inseam Sealant is also available on all Standing Seam Panels.



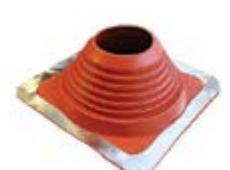
Universal Closures

All Metal Works also offers a more versatile sealant which expands and seals irregular surfaces. Areas such as valleys require weather-tightness and Hip/Valley tape is highly recommended during expansion and contraction of metal panels. Our Hip/Valley tape is available in 1" wide, 1" thick, 20' rolls as well as 1" wide, 1-1/2" thick, 15' rolls.



Pipe Flashing

All Metal Works offers standard and retrofit heavy duty rubber pipe boots for both standard and high temperature pipes. Our pipe boots are designed to accommodate movement in pipes due to temperature and weather conditions.



Underlayment

TempShield™ is a technologically advanced insulation material ideal for new construction or retrofit installation in residential, commercial, industrial, metal buildings and post frame buildings. Our products are recognized for their thermal performance, easy installation, versatility, price and environmental friendliness.



Screws

Woodgrip screws are a metal to wood fastener designed to self drill metal panels and tap into the wood substrate. Our 1/4" hex head woodgrip screws provide quick and easy installation and also come with a washer for a seal tight grip. We also offer Steelbinder screws for steel substrate.



Snow Bars and Snow Jax

All Metal Works offers a complete line of snow bars and snow jax for any of your roofing needs. Whether you have a Best Rib metal panel roof or a Standing Seam metal roof, we have the appropriate snow retention product.





The All Metal Works Team

METAL ROOFING | SIDING | CUSTOM TRIM | GUTTERS

